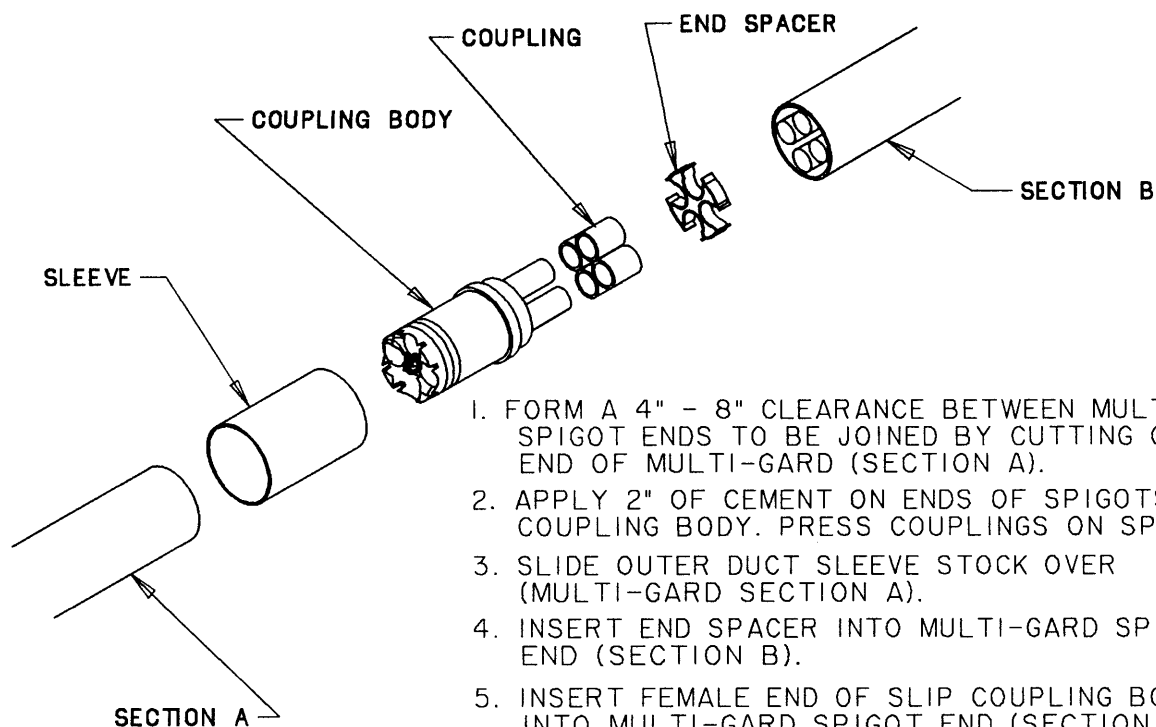


This information provided by:



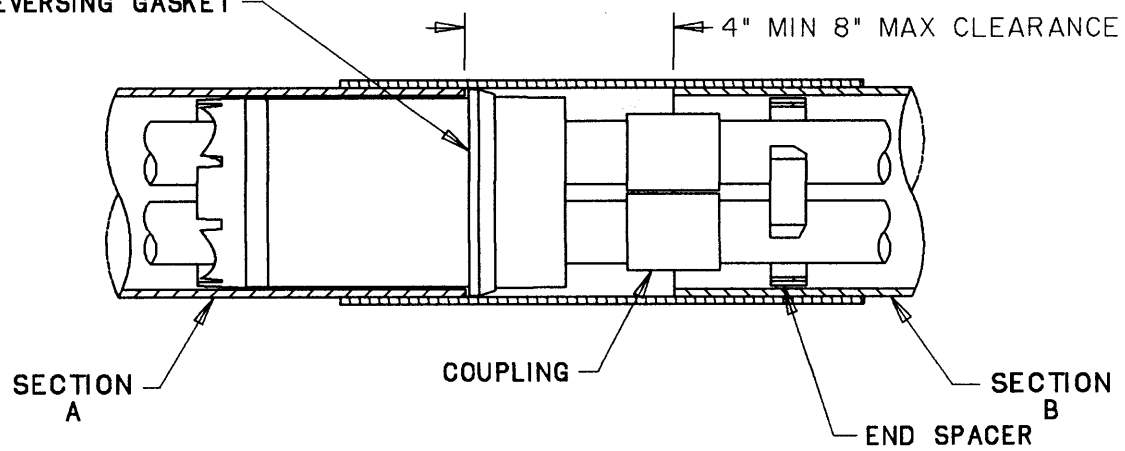
Gross Automation
www.grossautomation.com

Call Toll Free:
800-349-5827



1. FORM A 4" - 8" CLEARANCE BETWEEN MULTI-GARD SPIGOT ENDS TO BE JOINED BY CUTTING ONE END OF MULTI-GARD (SECTION A).
2. APPLY 2" OF CEMENT ON ENDS OF SPIGOTS OF SLIP COUPLING BODY. PRESS COUPLINGS ON SPIGOTS.
3. SLIDE OUTER DUCT SLEEVE STOCK OVER (MULTI-GARD SECTION A).
4. INSERT END SPACER INTO MULTI-GARD SPIGOT END (SECTION B).
5. INSERT FEMALE END OF SLIP COUPLING BODY INTO MULTI-GARD SPIGOT END (SECTION A).
6. ALIGN MULTI-GARD SECTIONS A AND B.
7. USING SHOULDER ON SLIP COUPLING BODY SLIDE BODY BACK ONTO INNERDUCT IN MULTI-GARD (SECTION B) UNTIL FIRMLY SEATED.
8. SOLVENT CEMENT 2" OF OUTER DUCT ENDS OF MULTI-GARD (SECTIONS A AND B) AND SLIDE SLEEVE STOCK OVER (SECTION B) UNTIL CEMENT IS COVERED AND CENTERED OVER ASSEMBLY.

COUPLING BODY W/MODIFIED ANTI-REVERSING GASKET



CATALOG NUMBER	
M	SC
	3 = 3-WAY INNER DUCT
	4 = 4-WAY INNER DUCT
	X = TYPE C OUTER DUCT
	F = TYPE 40 OUTER DUCT
	D = TYPE 80 OUTER DUCT

TITLE: OUTLINE - SLIP COUPLING		DRN. DATE	PART NO:	SEE CHART
LAMSON & SESSIONS		TCAT 9-08-92		
ALL DRAWINGS ARE THE PROPERTY OF LAMSON & SESSIONS AND SHALL NOT BE REPRODUCED IN ANY FORM WITHOUT LAMSON & SESSIONS' APPROVAL AND ARE TO BE PROMPTLY RETURNED UPON REQUEST.		APP. DATE	DRAWING NO:	REV. A
			AC00797	