

This information provided by:



Gross Automation  
[www.grossautomation.com](http://www.grossautomation.com)

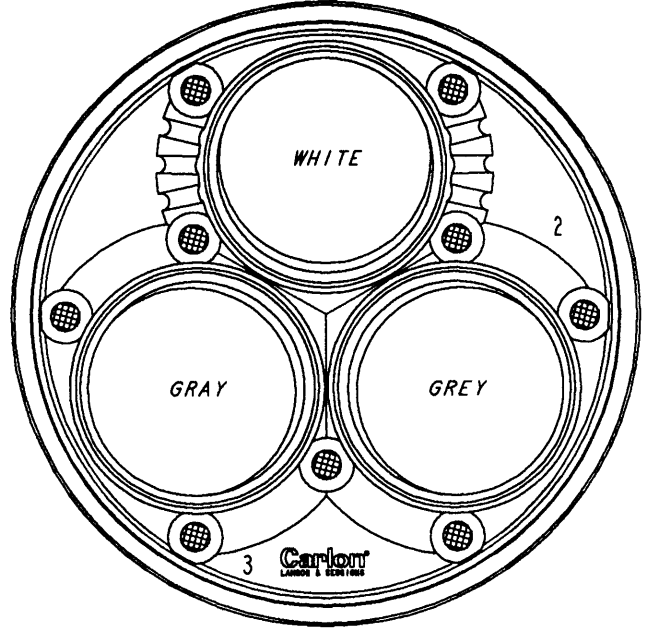
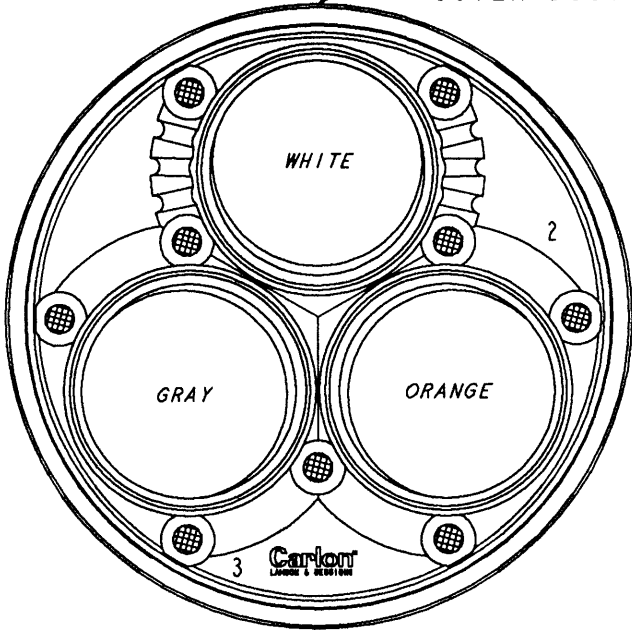
Call Toll Free:  
**800-349-5827**

**MULTICOLOR  
MULTIDUCT**

**STANDARD  
MULTIDUCT**

PRINT LINE  
LOCATION ON  
OUTER DUCT

PRINT LINE  
LOCATION ON  
OUTER DUCT

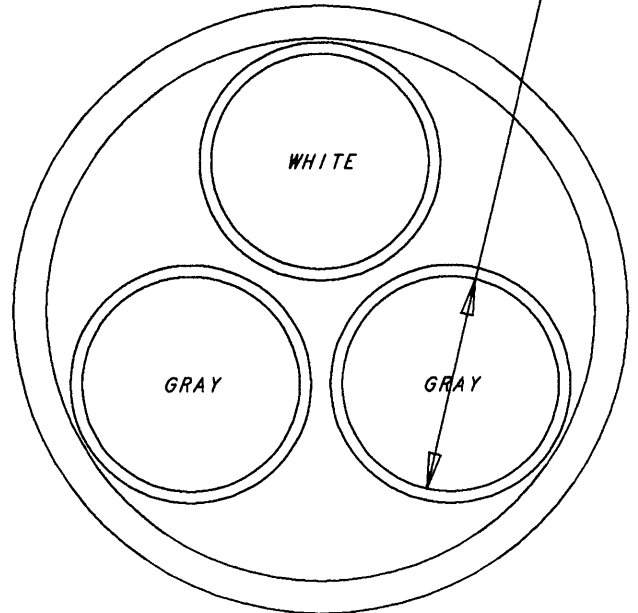
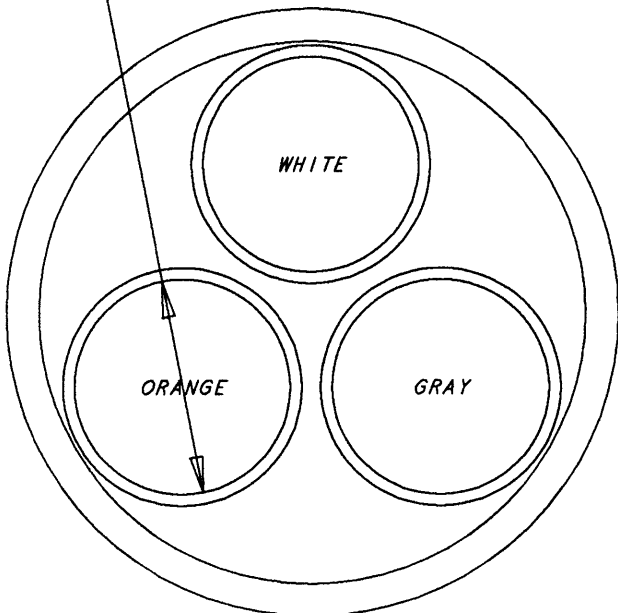


**BELL END VIEW**

**BELL END VIEW**

Ø 1.50 REF

Ø 1.50 REF



**SPIGOT END VIEW**

**SPIGOT END VIEW**

**PT. NO. MFSS3SC**

**PT. NO. MFSS3S**

A	ADDED PORT NO'S AND COLORS FOR STANDARD AND MULTICOLOR MULTIDUCT	DJK	JM	JM	5/3/93		
TITLE <b>3 - WAY MULTI-GARD END VIEWS</b>		DRN. OWB		DATE 6/6/92		PART NO.: <b>SEE PT. NO.S</b>	
LAMSON & SESSIONS		ALL DRAWINGS ARE THE PROPERTY OF LAMSON & SESSIONS AND SHALL NOT BE REPRODUCED IN ANY FORM WITHOUT LAMSON & SESSIONS' APPROVAL AND ARE TO BE PROMPTLY RETURNED UPON REQUEST.				DRAWING NO.: <b>AC00790</b>	
Gross Automation (877) 268-3700 · www.carlbnsales.com · sales@grossautomation.com						REV. <b>B</b>	

CATALOG NUMBER

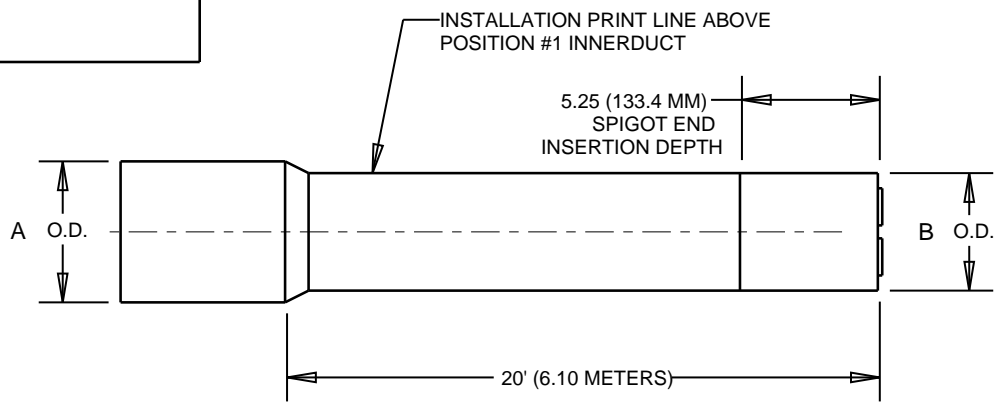
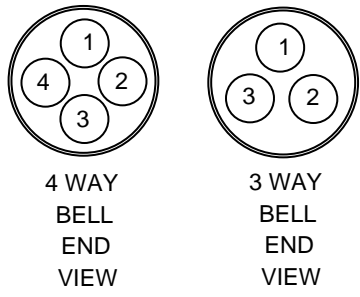
M SS S

COLOR INDICATOR  
SEE PART NO. IN CHART BELOW  
FOR DUCT COLOR AND ORIENTATION

3 = 3-WAY INNER DUCT  
4 = 4-WAY INNER DUCT

X = TYPE C OUTER DUCT  
F = TYPE 40 OUTER DUCT  
D = TYPE 80 OUTER DUCT

PRODUCT SHIPPED WITH DUST CAPS



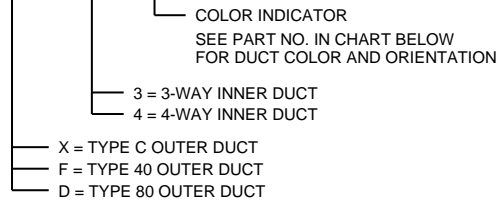
PRODUCT	PART NO	MAT'L	A (IN/mm)	B (IN/mm)	OUTER DUCT	1	2	3	4
STANDARD	MFSS3S	TYPE 40	5.00 (127.0)	4.50 (114.3)	GRAY	WHITE	GRAY	GRAY	-
NY DOT	MFSS3SC	TYPE 40	5.00 (127.0)	4.50 (114.3)	GRAY	WHITE	ORANGE	GRAY	-
COLORADO DOT	MFSS3C	TYPE 40	5.00 (127.0)	4.50 (114.3)	GRAY	WHITE	BLUE	ORANGE	-
OHANA TELCOM	MFSS3SMC	TYPE 40	5.00 (127.0)	4.50 (114.3)	GRAY	GREEN	ORANGE	RED	-
STANDARD	MFSS4S	TYPE 40	5.00 (127.0)	4.50 (114.3)	GRAY	WHITE	GRAY	GRAY	GRAY
NY DOT	MFSS4SC	TYPE 40	5.00 (127.0)	4.50 (114.3)	GRAY	WHITE	GRAY	GREEN	ORANGE
VA DOT	MFSS4SMC	TYPE 40	5.00 (127.0)	4.50 (114.3)	GRAY	WHITE	RED	ORANGE	YELLOW
WISC DOT	MFSS4MCA	TYPE 40	5.00 (127.0)	4.50 (114.3)	GRAY	BLUE	ORANGE	GREEN	BROWN
VA DOT	MFSS4SMCW	TYPE 40	5.00 (127.0)	4.50 (114.3)	WHITE	WHITE	RED	ORANGE	YELLOW
CALIFORNIA DOT	MFSS4SW	TYPE 40	5.00 (127.0)	4.50 (114.3)	GRAY	WHITE	GRAY	YELLOW	ORANGE
CALIFORNIA DOT	MFSS4SCAL	TYPE 40	5.00 (127.0)	4.50 (114.3)	GRAY	BLUE	GRAY	YELLOW	ORANGE
CANADIAN "A"	MFSS4OA	TYPE 40	5.00 (127.0)	4.50 (114.3)	ORANGE	BLUE	ORANGE	GREEN	BROWN
CANADIAN "B"	MFSS4OB	TYPE 40	5.00 (127.0)	4.50 (114.3)	ORANGE	GRAY	WHITE	RED	BLACK
* GA DOT	MFSS4SMCG	TYPE 40	5.00 (127.0)	4.50 (114.3)	GRAY	WHITE	RED	ORANGE	YELLOW
NV DOT	MFSS4SNEV	TYPE 40	5.00 (127.0)	4.50 (144.3)	GRAY	WHITE	RED	ORANGE	BLUE
TENN DOT	MFSS4ST	TYPE 40	5.00 (127.0)	4.50 (144.3)	GRAY	BLUE	GRAY	WHITE	ORANGE
MICH DOT	MFSS4SMD	TYPE 40	5.00 (127.0)	4.50 (144.3)	ORANGE	RED	YELLOW	GREEN	BLUE
* TEXAS DOT	MFSS4STX	TYPE 40	5.00 (127.0)	4.50 (144.3)	GRAY	WHITE	RED	ORANGE	YELLOW
* CONNECTICUT DOT	MFSS4SCT	TYPE 40	5.00 (127.0)	4.50 (144.3)	GRAY	WHITE	RED	ORANGE	YELLOW
---	MFSS4SMW	TYPE 40	5.00 (127.0)	4.50 (144.3)	GRAY	BLUE	ORANGE	BROWN	GREEN

\* SEE PRODUCT SPEC. 59615MC FOR NON-STANDARD PRINTLINE.

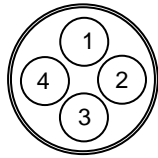
TITLE: OUTLINE - 20' MULTI-GARD ASSY. (PVC) - TYPE 40		DRN. DATE OWB 6-25-92	PART NO.: SEE CHART	
LAMSON & SESSIONS	ALL DRAWINGS ARE THE PROPERTY OF LAMSON & SESSIONS AND SHALL NOT BE REPRODUCED IN ANY FORM WITHOUT LAMSON & SESSIONS' APPROVAL AND ARE TO BE PROMPTLY RETURNED UPON REQUEST	APP. DATE JP 2-06-95	DRAWING NO.: AC00902	
		WGL 6-26-01	REV. S	

CATALOG NUMBER

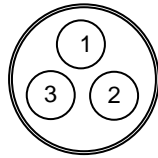
M SS S



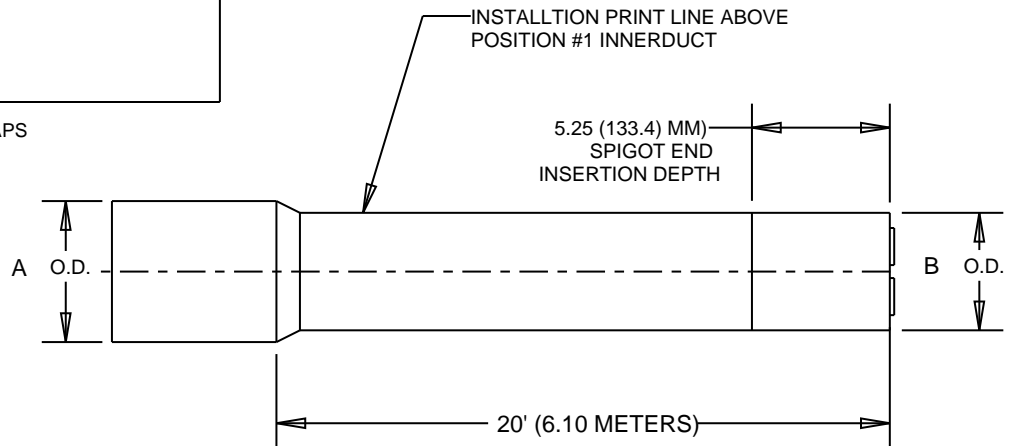
PRODUCT SHIPPED WITH DUST CAPS



4 WAY BELL END VIEW



3 WAY BELL END VIEW



TYPE C

PRODUCT	PART NO	MAT'L	A (IN/mm)	B (IN/mm)	OUTER DUCT	1	2	3	4
STANDARD	MXSS3S	TYPE C	4.67 (118.6)	4.35 (110.5)	WHITE	WHITE	GRAY	GRAY	-
NY DOT	MXSS3SC	TYPE C	4.67 (118.6)	4.35 (110.5)	WHITE	WHITE	ORANGE	GRAY	-
STANDARD	MXSS4S	TYPE C	4.67 (118.6)	4.35 (110.5)	WHITE	WHITE	GRAY	GRAY	GRAY
NY DOT	MXSS4SC	TYPE C	4.67 (118.6)	4.35 (110.5)	WHITE	WHITE	GRAY	GREEN	ORANGE
OH DOT	MXSS4SD	TYPE C	4.67 (118.6)	4.35 (110.5)	WHITE	BLUE	YELLOW	ORANGE	WHITE
---	MXSS4SMW	TYPE C	4.67 (118.6)	4.35 (110.5)	WHITE	BLUE	ORANGE	BROWN	GREEN

TYPE 80

PRODUCT	PART NO	MAT'L	A (IN/mm)	B (IN/mm)	OUTER DUCT	1	2	3	4
STANDARD	MDSS3S	TYPE 80	5.49 (139.4)	4.75 (120.6)	GRAY	WHITE	GRAY	GRAY	-
NY DOT	MDSS3SC	TYPE 80	5.49 (139.4)	4.75 (120.6)	GRAY	WHITE	ORANGE	GRAY	-
COLORADO DOT	MDSS3C	TYPE 80	5.49 (139.4)	4.75 (120.6)	GRAY	WHITE	BLUE	ORANGE	-
STANDARD	MDSS4S	TYPE 80	5.49 (139.4)	4.75 (120.6)	GRAY	WHITE	GRAY	GRAY	GRAY
NY DOT	MDSS4SC	TYPE 80	5.49 (139.4)	4.75 (120.6)	GRAY	WHITE	GRAY	GREEN	ORANGE
VA & GA DOT	MDSS4SMC	TYPE 80	5.49 (139.4)	4.75 (120.6)	GRAY	WHITE	RED	ORANGE	YELLOW
MICH DOT	MDSS4SMD	TYPE 80	5.49 (139.4)	4.75 (120.6)	ORANGE	RED	YELLOW	GREEN	BLUE
STANDARD	MDSS4SW	TYPE 80	5.49 (139.4)	4.75 (120.6)	GRAY	WHITE	GRAY	YELLOW	ORANGE

SHEET 2 OF 2

TITLE: OUTLINE - 20' MULTI-GARD ASSY. (PVC) - TYPE C AND TYPE 80		DRN. DATE OWB 6-25-92	PART NO.: SEE CHART	
LAMSON & SESSIONS	ALL DRAWINGS ARE THE PROPERTY OF LAMSON & SESSIONS AND SHALL NOT BE REPRODUCED IN ANY FORM WITHOUT LAMSON & SESSIONS' APPROVAL AND ARE TO BE PROMPTLY RETURNED UPON REQUEST	APP. DATE JP 2-06-95	DRAWING NO.: AC00902	REV. S
		WGL 6-26-01		