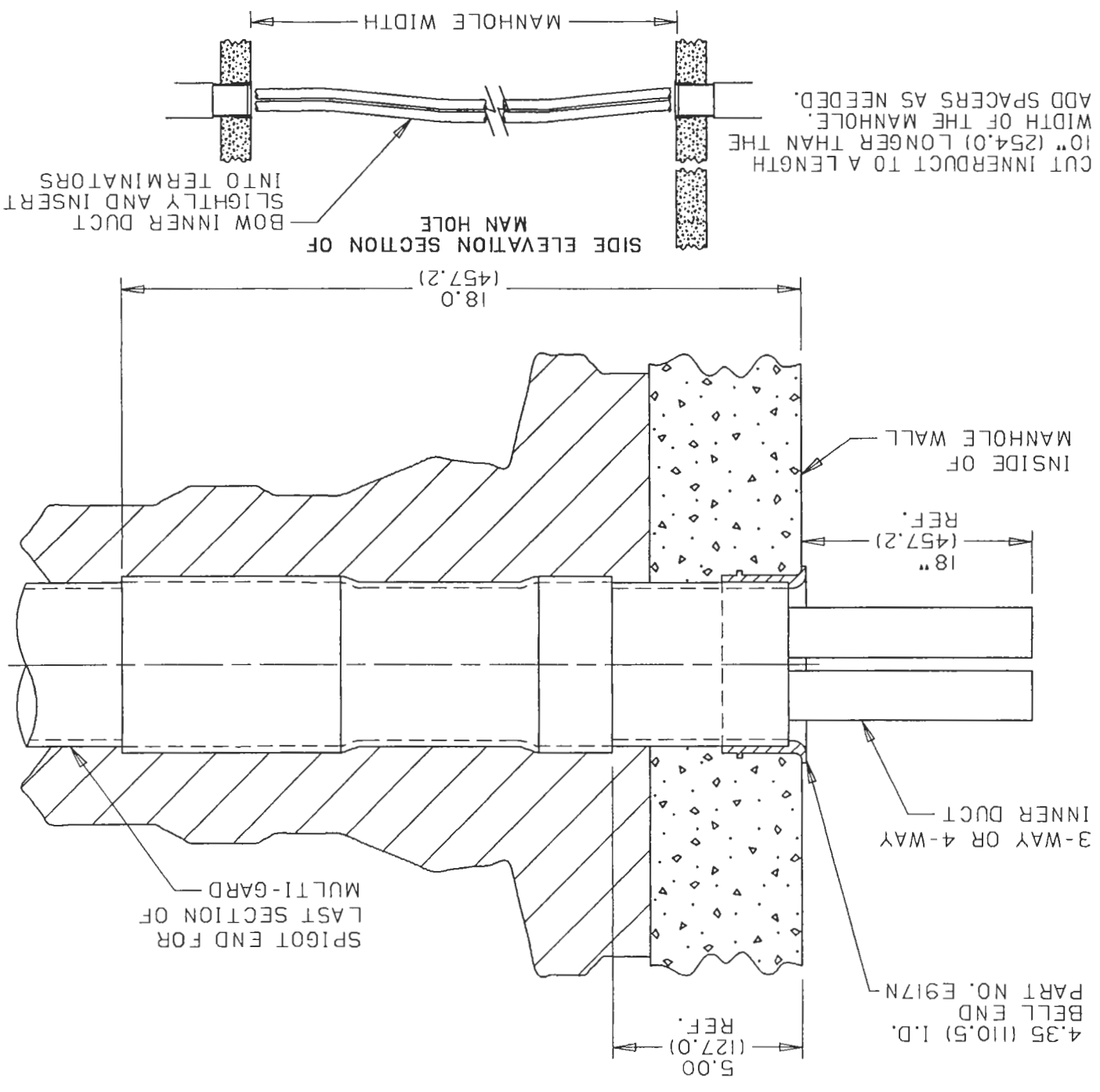


This information provided by:



Gross Automation  
[www.grossautomation.com](http://www.grossautomation.com)

Call Toll Free:  
**800-349-5827**



CUT INNERDUCT TO A LENGTH 10" (254.0) LONGER THAN THE WIDTH OF THE MANHOLE. ADD SPACERS AS NEEDED.

NOTE: 1. DIMENSIONS ARE IN INCHES (MILLIMETERS)

<b>MXT9</b> 3 = 3-WAY INNER DUCT 4 = 4-WAY INNER DUCT	CATALOG NUMBER
---	----------------

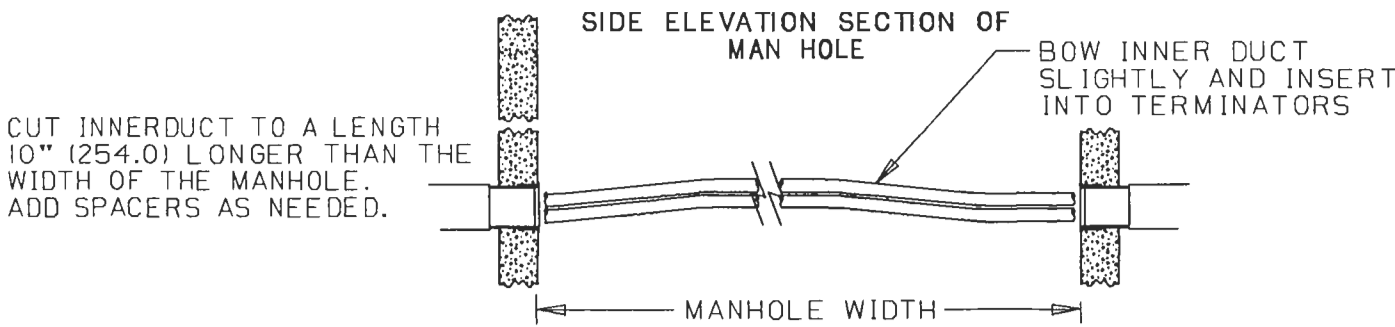
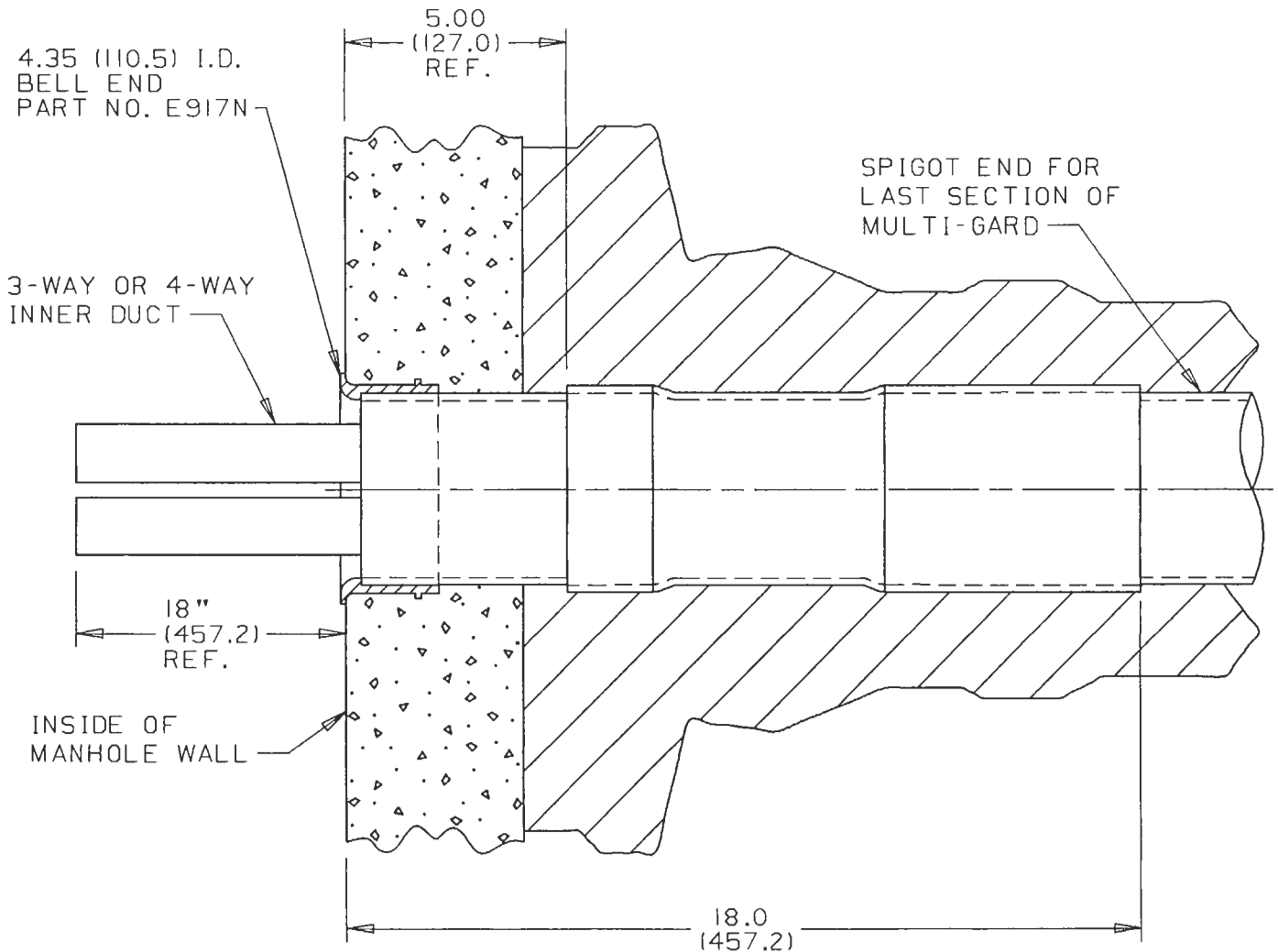
NOTE:  
1. DIMENSIONS ARE IN INCHES (MILLIMETERS)

CATALOG NUMBER

MXT9

3 = 3-WAY INNER DUCT

4 = 4-WAY INNER DUCT



TITLE: JETTABLE TERMINATOR AT MANHOLE		DRN. DATE DPR 7-29-97	PART NO: SEE CHART
LAMSON & SESSIONS	ALL DRAWINGS ARE THE PROPERTY OF LAMSON & SESSIONS AND SHALL NOT BE REPRODUCED IN ANY FORM WITHOUT LAMSON & SESSIONS' APPROVAL AND ARE TO BE PROMPTLY RETURNED UPON REQUEST.	APP. DATE P.M. 8-20-97	DRAWING NO: AC03157
			REV.