

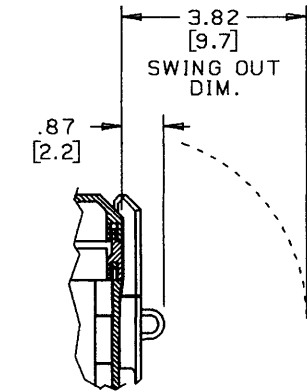
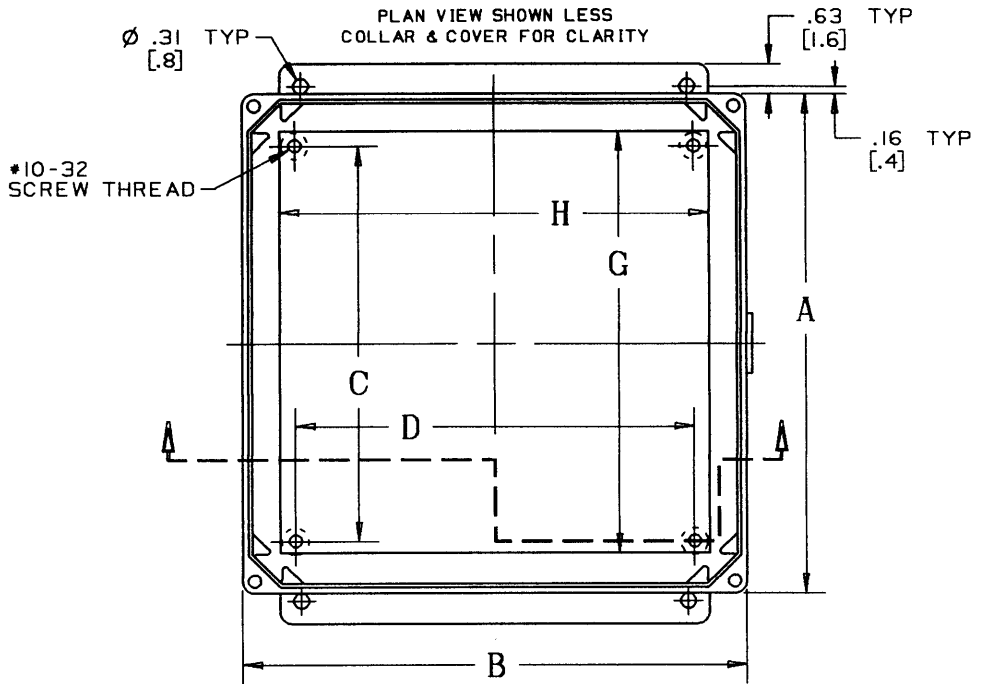
This information provided by:



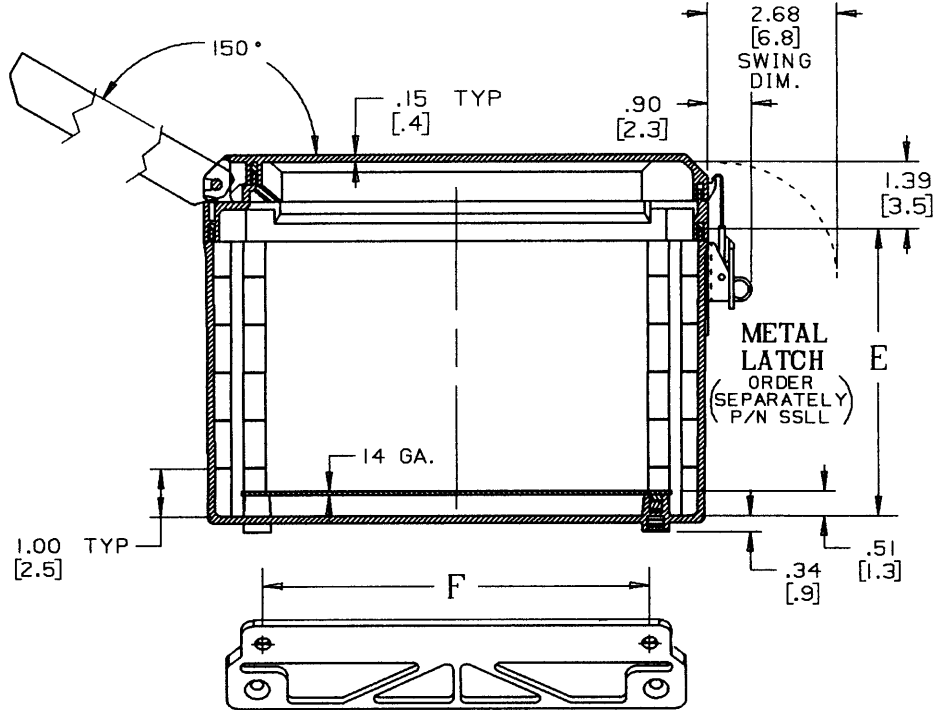
Gross Automation
www.grossautomation.com

Call Toll Free:
800-349-5827

| SIZE | BACK PANEL | |
|--------|------------------|------------------|
| | G | H |
| JP64 | 4.88 (124.0) | 2.88 (73.2) |
| JP66 | 4.88 (124.0) | 4.88 (124.0) |
| JP86 | 6.75 (171.5) | 4.88 (124.0) |
| JP88 | 6.75 (171.5) | 6.88 (174.8) |
| JPI08 | 8.75 (222.3) | 6.88 (174.8) |
| JPI010 | 8.75 (222.3) | 8.88 (225.6) |
| JPI210 | 10.75 (273.1) | 8.88 (225.6) |
| JPI212 | 10.75 (273.1) | 10.88 (276.4) |
| JPI412 | 12.75 (323.9) | 10.88 (276.4) |
| JPI614 | 14.75 (374.6) | 12.88 (327.2) |



PLASTIC LATCH
(ORDER SEPARATELY)
P/N NPLIL



LEGEND EXAMPLE

N I 644
 — ENCLASURE SIZE
 — COVER TYPE
 I-CLEAR COVER W/LATCH
 H-OPAQUE COVER W/LATCH
 — NEMA TYPE I-3-35-12-4/4X

NOTES:
 I. ALL DIMENSIONS ARE INCHES AND (MILLIMETERS).

| SIZE | A | B | C | D | E | F |
|---------|------------------|-----------------|-----------------|-----------------|-----------------|-----------------|
| -- 644 | 6.42 (163.1) | 4.41 (112.0) | 4.25 (108.0) | 2.25 (57.2) | 4.00 (101.6) | 2.00 (50.8) |
| -- 664 | 6.42 (163.1) | 6.42 (163.1) | 4.25 (108.0) | 4.25 (108.0) | 4.00 (101.6) | 4.00 (101.6) |
| -- 864 | 8.42 (213.9) | 6.42 (163.1) | 6.25 (158.8) | 4.25 (108.0) | 4.00 (101.6) | 4.00 (101.6) |
| -- 884 | 8.42 (213.9) | 8.42 (213.9) | 6.25 (158.8) | 6.25 (158.8) | 4.00 (101.6) | 6.00 (152.4) |
| -- 1084 | 10.42 (264.7) | 8.42 (213.9) | 8.25 (209.6) | 6.25 (158.8) | 4.00 (101.6) | 6.00 (152.4) |

| SIZE | A | B | C | D | E | F |
|----------|------------------|------------------|------------------|------------------|-----------------|------------------|
| -- 1086 | 10.42 (264.7) | 8.42 (213.9) | 8.25 (209.6) | 6.25 (158.8) | 6.00 (152.4) | 6.00 (152.4) |
| -- 10106 | 10.42 (264.7) | 10.42 (264.7) | 8.25 (209.6) | 8.25 (209.6) | 6.00 (152.4) | 8.00 (203.2) |
| -- 12106 | 12.42 (315.5) | 10.42 (264.7) | 10.25 (260.4) | 8.25 (209.6) | 6.00 (152.4) | 8.00 (203.2) |
| -- 12126 | 12.42 (315.5) | 12.42 (315.5) | 10.25 (260.4) | 10.25 (260.4) | 6.00 (152.4) | 10.00 (254.0) |
| -- 14126 | 14.42 (366.3) | 12.42 (315.5) | 12.25 (311.2) | 10.25 (260.4) | 6.00 (152.4) | 10.00 (254.0) |
| -- 16146 | 16.42 (417.1) | 14.42 (366.3) | 14.25 (362.0) | 12.25 (311.2) | 6.00 (152.4) | 12.00 (304.8) |

TITLE: HIDDEN HINGE ENCLOSURES

LAMSON & SESSIONS

ALL DRAWINGS ARE THE PROPERTY OF LAMSON & SESSIONS AND SHALL NOT BE REPRODUCED IN ANY FORM WITHOUT LAMSON & SESSIONS' APPROVAL AND ARE TO BE PROMPTLY RETURNED UPON REQUEST.

DRN. DATE
 RG 12/6/94

APP. DATE
 DK 6/24/97

PART NO:

NH/NI SERIES

DRAWING NO:

AC02094

REV.
 B