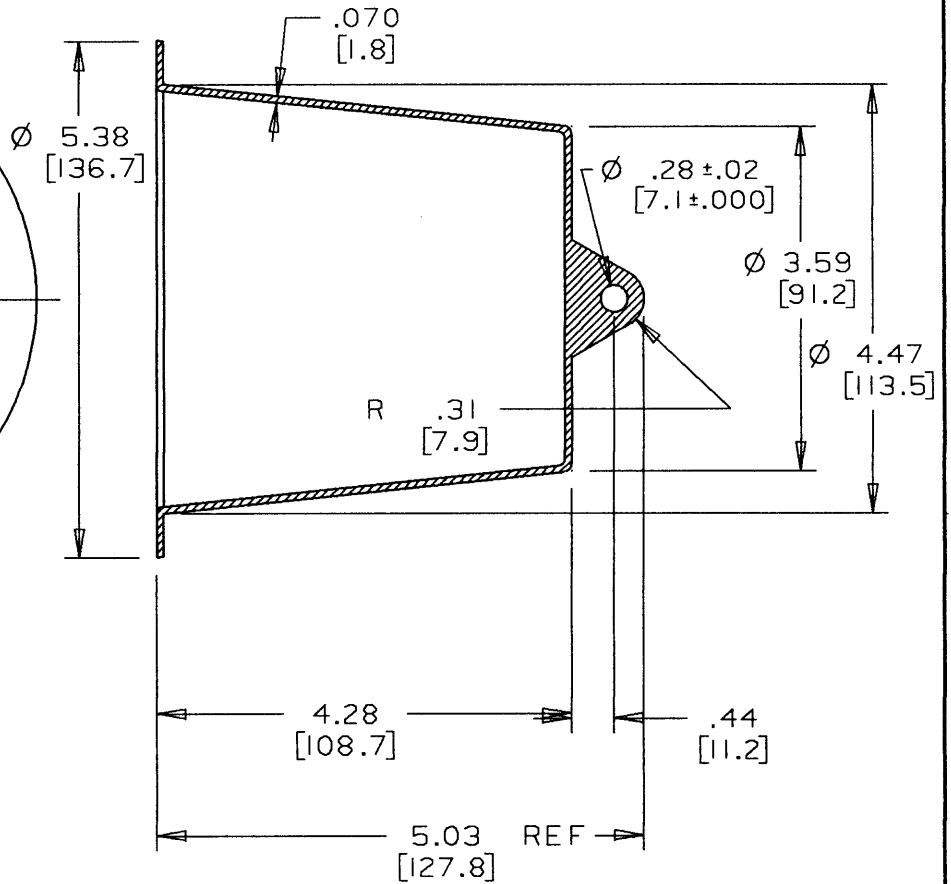
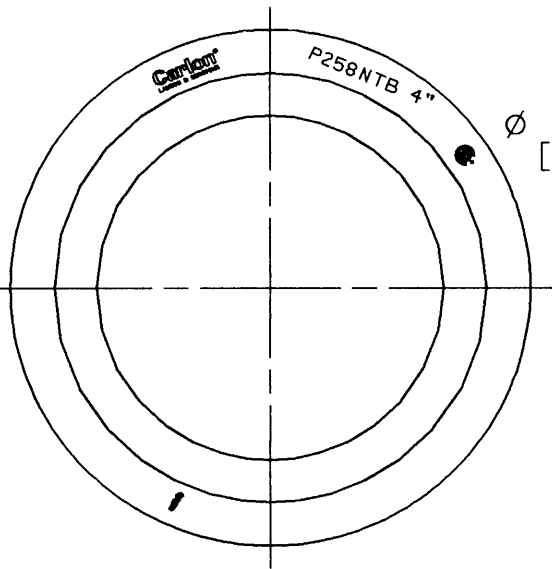


This information provided by:



Gross Automation  
[www.grossautomation.com](http://www.grossautomation.com)

Call Toll Free:  
**800-349-5827**



TITLE: 4" TELEPHONE POLYPLUG

DRN. DATE  
SLK 9-92

PART NO:  
P258NTB

**LAMSON & SESSIONS**

ALL DRAWINGS ARE THE PROPERTY OF LAMSON & SESSIONS AND SHALL NOT BE REPRODUCED IN ANY FORM WITHOUT LAMSON & SESSIONS' APPROVAL AND ARE TO BE PROMPTLY RETURNED UPON REQUEST.

APP. DATE  
KEF 3/4/97

DRAWING NO:  
AC01158

REV.  
B