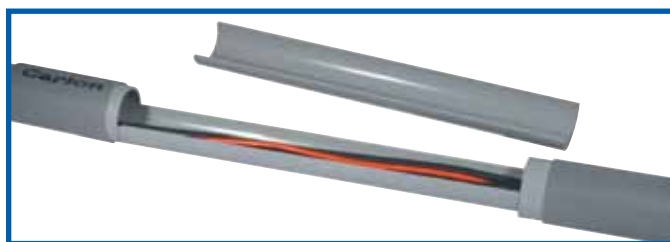
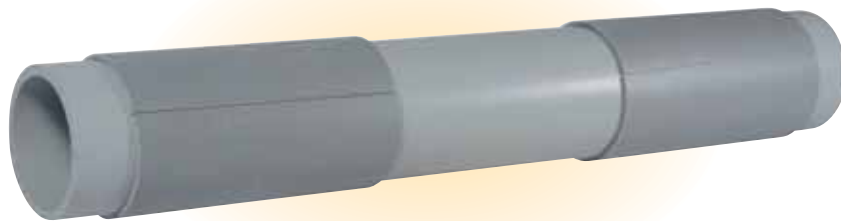


Carlton® Split Kits

Carlton Split Kits are specifically designed to make *Schedule-40 and Type-C* conduit repairs faster and easier! Damaged conduit can be repaired without disturbing the installed wire/cable system. Carlton Split Kits come in handy 2 feet lengths with 7 inch split couplings on each end. UV-resistant for outdoor use, Split Kits feature the same durable tongue-and-groove design as Carlton's Split Duct product.

Split Kits are manufactured from extra rugged PVC material. The unique design maintains the same physical performance and dimensional characteristics as the PVC pipe it is repairing! No other repair product can make this offer! The reason is in the interlocking/tongue-and-groove design that holds the true dimensions of the product, both I.D. and O.D., while maintaining the pipe's physical performance characteristics too.

Carlton® Split Kits...Conduit Repairs made Faster and Easier.

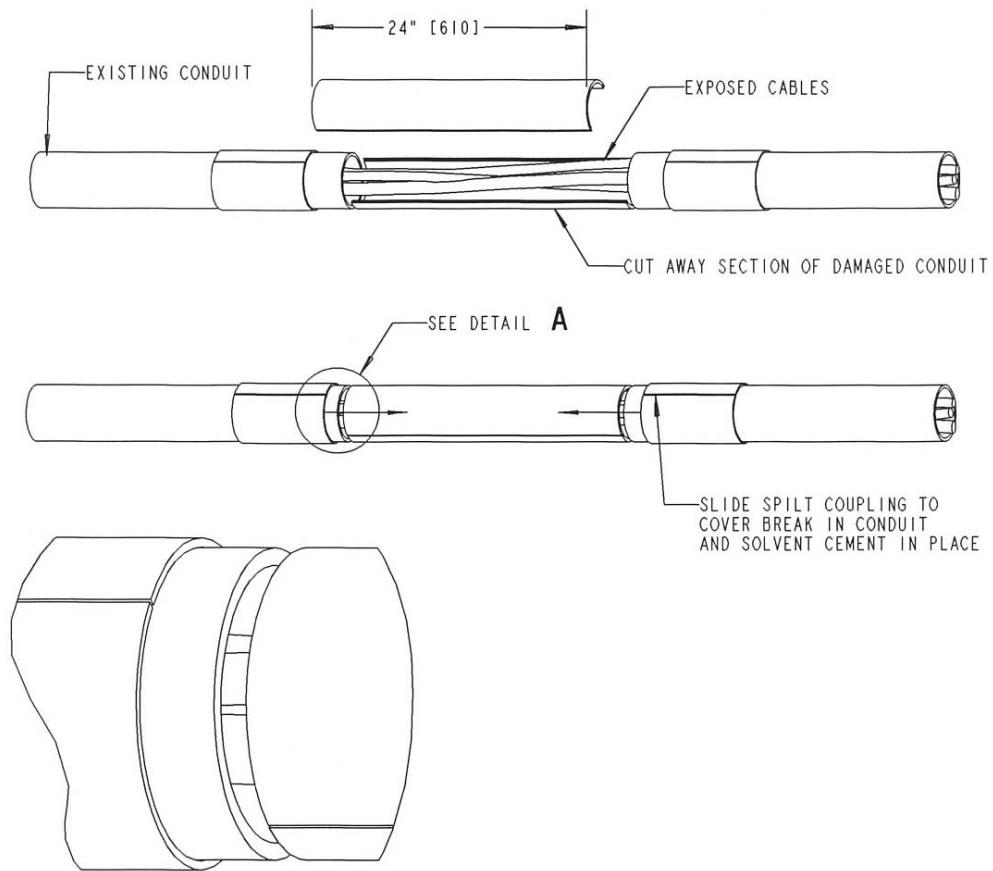


Features:

- Interlocking/tongue-and-groove design to assure dimensional pipe characteristics.
- Convenient and handy for easy handling, transport and storage.
- 2ft lengths for fast/easy conduit repairs. Eliminates the need of cutting standard 10ft. lengths to size. Get off the jobsite FASTER!
- Two 7" split couplings for a secure fit. Allows the product to be coupled together for longer repairs. Solvent cementable = water-resistant.
- Available in two wall types – Schedule 40 (Sizes 2" through 6"), and Type-C (4")
- Manufactured from extra rugged PVC – Lightweight, solvent cementable and compatible with all standard pipe fittings.

Specifications

Part Number	Size	Wall Type	Std. Carton Qty.	Std. Carton Wt. (lbs.)
SK4020	2"	Schedule 40	10	24.3
SK4025	2-1/2"	Schedule 40	10	49.2
SK4030	3"	Schedule 40	8	43.6
SK4040	4"	Schedule 40	5	40.5
SK4050	5"	Schedule 40	3	34.6
SK4060	6"	Schedule 40	2	36.4
SKC40	4"	Type C	5	36.2



DETAIL **A**
SCALE 0.500

Carlton[®]
LAMSON & SESSIONS