

Slip Meter Risers

Carlton® Slip Meter Risers are designed for use in electrical service entrance applications. They provide solutions for applications requiring a non-rigid connection, with incoming service conduit diameters ranging from 2" to 4".

The Slip Meter Risers are fitted with a terminal adapter for easy installation at the service entrance location, and provide a low-cost method to comply with NEC 300.5(J), which requires protection for buried cables in areas subject to ground movement due to frost or trench settling.

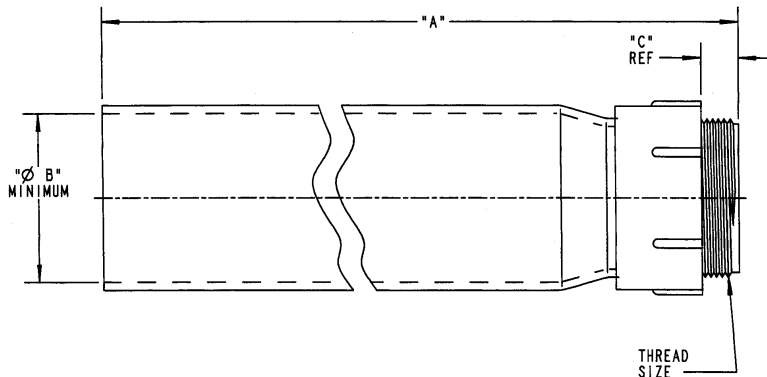
Features:

- Designed to provide faster and easier underground service entrance installations.
- Provides cable protection from ground movement.
- Accommodates incoming service conduit diameters ranging from 2" to 4".
- Fitted with Terminal Adapters for easy installing.
- Allows ground water in raceway system to drain.
- Complies with NEC 300.5(J)



Slip Meter Riser Specifications

Part Number	Size	A Length	B (Minimum)	C	Thread Size	Std. Carton Qty.	Std. Carton Wt. (lbs.)
E954JXX	2"	24.00	2.024	.825	2" NPT	20	46
E954JXS (split)	2"	24.00	2.024	.825	2" NPT	1	2.2
E954KXX	2 1/2"	24.00	2.418	.812	2 1/2" NPSC	10	28
E954LXX	3"	24.00	3.012	.798	3" NPSC	10	35
E954LXS (split)	3"	24.00	3.012	.798	3" NPSC	10	36
E954NXX	4"	24.00	5.060	.773	4" NPSC	5	23



Article 300 Wiring Methods

(J) Ground Movement. Where direct buried conductors, raceways, or cables are subject to movement by settlement or frost, direct buried conductors, raceways, or cables shall be arranged to prevent damage to the enclosed conductors or to equipment connected to the raceways.

(FPN): This section recognizes "S" loops in underground direct burial to raceway transitions, expansion joints in raceway risers to fixed equipment, and, generally, the provision of flexible connections to equipment subject to settlement or frost heaves.